

Notice of new distributor BU-type

U-type distributors have been remodeled into BU-type distributors as follows.

BU-type distributors are sold already.

1. Code No. and model

【With an indicator】

U-type (Conventional model)				BU-type (Current model)		
Code No.	Model	Use fluid		Code No.	Model	Use fluid
RK670100	U-4R	Grease	⇒	RK621100	BU-4R	Grease Oil
RK670500	U-4RL	Oil				
RK670200	U-6R	Grease	⇒	RK621200	BU-6R	Grease Oil
RK670600	U-6RL	Oil				
RK670300	U-8R	Grease	⇒	RK621300	BU-8R	Grease Oil
RK670700	U-8RL	Oil				
RK670400	U-12R	Grease	⇒	RK621400	BU-12R	Grease Oil
RK670800	U-12RL	Oil				

【With a microswitch】

U-type (Conventional model)				BU-type (Current model)		
Code No.	Model	Use fluid		Code No.	Model	Use fluid
RK630100	U-4M	Grease	⇒	RK645100	BU-4M	Grease Oil
RK630500	U-4ML	Oil				
RK630200	U-6M	Grease	⇒	RK645200	BU-6M	Grease Oil
RK630600	U-6ML	Oil				
RK630300	U-8M	Grease	⇒	RK645300	BU-8M	Grease Oil
RK630700	U-8ML	Oil				
RK630400	U-12M	Grease	⇒	RK645400	BU-12M	Grease Oil
RK630800	U-12ML	Oil				

2. Note

- The how to use, the specification and the performance of BU-type are same as U-type .
- BU-type serve both as grease and oil.
- BU-type distributor is inspection before shipment by grease, So If fluid is oil, please do oil Flushing before it's used.
- Refer to attachment drawing about the outline and the specification.
- Possible to attach the Auxiliary fixtures(AU-26,AU-15) as usual.

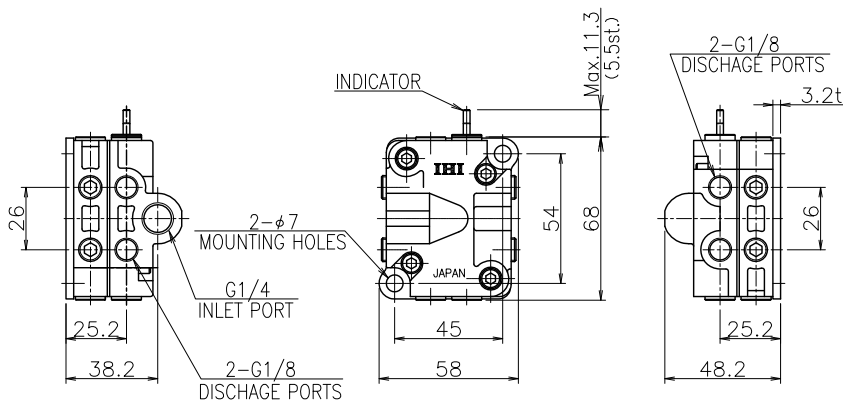
AUTO GREASTAR

DISTRIBUTOR BU-R type

Model: BU-4R

SPECIFICATION

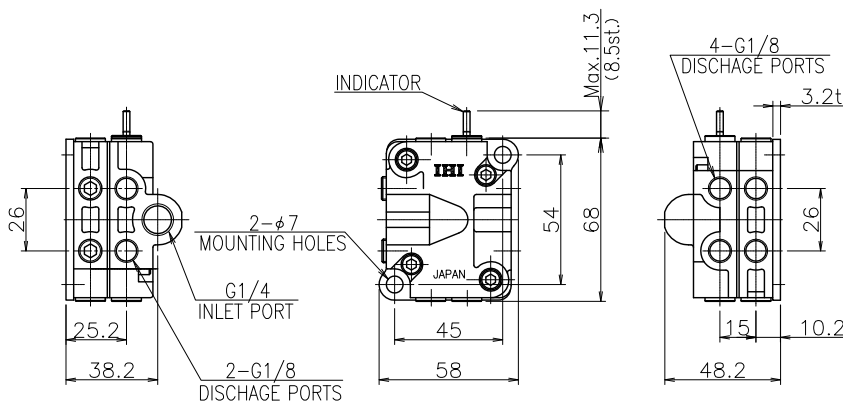
Item	Specification
Max. Working pressure	Grease: 14.7MPa, Oil: 5.9MPa
Discharge capacity	0.3 cm ³ /st./ports
Discharge ports number	4 ports
Mass.	0.48 kg
Code No.	RK621100



Model: BU-6R

SPECIFICATION

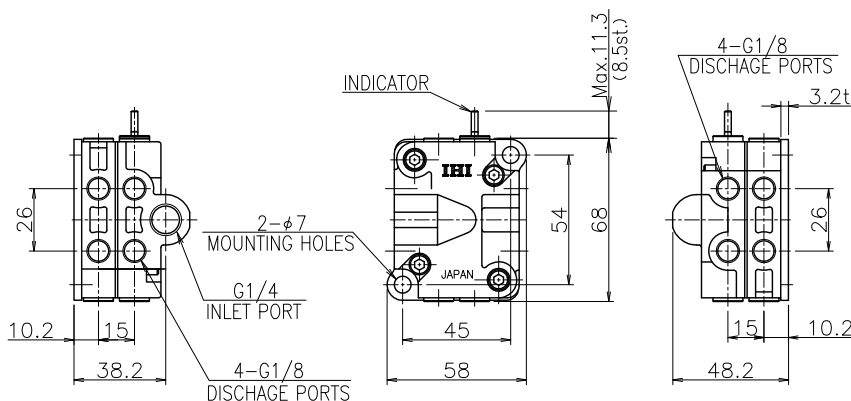
Item	Specification
Max. Working pressure	Grease: 14.7MPa, Oil: 5.9MPa
Discharge capacity	0.3 cm ³ /st./ports
Discharge ports number	6 ports
Mass.	0.48 kg
Code No.	RK621200



Model: BU-8R

SPECIFICATION

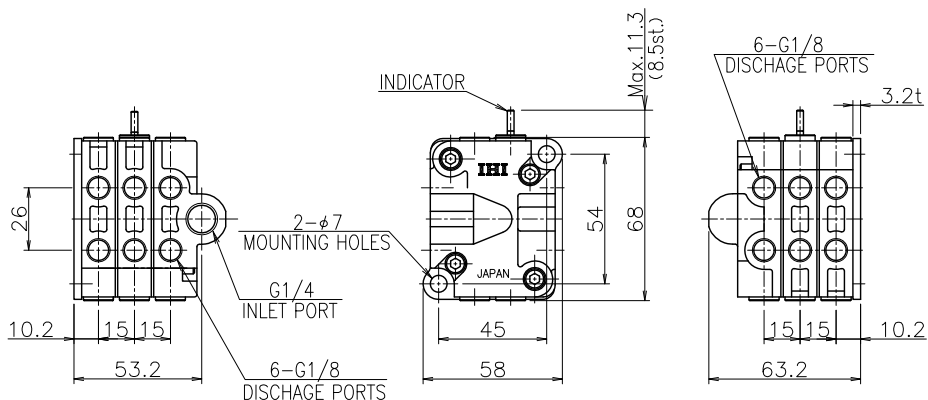
Item	Specification
Max. Working pressure	Grease: 14.7MPa, Oil: 5.9MPa
Discharge capacity	0.3 cm ³ /st./ports
Discharge ports number	8 ports
Mass.	0.41 kg
Code No.	RK621300



Model: BU-12R

SPECIFICATION

Item	Specification
Max. Working pressure	Grease: 14.7MPa, Oil: 5.9MPa
Discharge capacity	0.3 cm ³ /st./ports
Discharge ports number	12 ports
Mass.	0.55 kg
Code No.	RK621400



AUTO GREASTAR

DISTRIBUTOR BU-M type

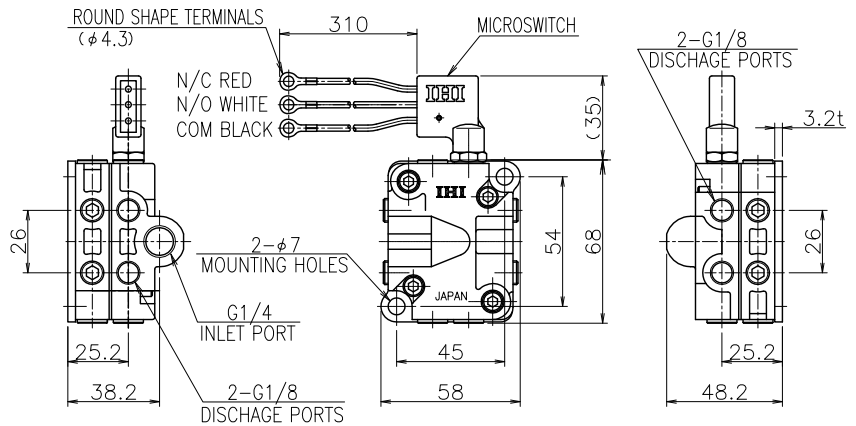
Model: BU-4M

SPECIFICATION

Item	Specification
Max. Working pressure	Grease:14.7MPa, Oil: 5.9MPa
Discharge capacity	0.3 cm ³ /st./ports
Discharge ports number	4 ports
Mass.	0.48 kg
Code No.	RK645100

MICROSWITCH SPECIFICATION

COM	N/C	RATING: AC250V-2A AC125V-2A DC30V-2A
	N/O	
CONTACT SYMBOL		



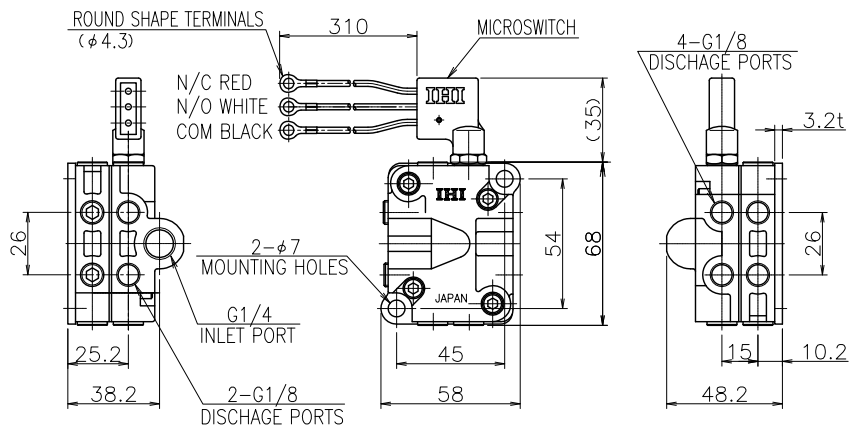
Model: BU-6M

SPECIFICATION

Item	Specification
Max. Working pressure	Grease:14.7MPa, Oil: 5.9MPa
Discharge capacity	0.3 cm ³ /st./ports
Discharge ports number	6 ports
Mass.	0.48 kg
Code No.	RK645200

MICROSWITCH SPECIFICATION

COM	N/C	RATING: AC250V-2A AC125V-2A DC30V-2A
	N/O	
CONTACT SYMBOL		



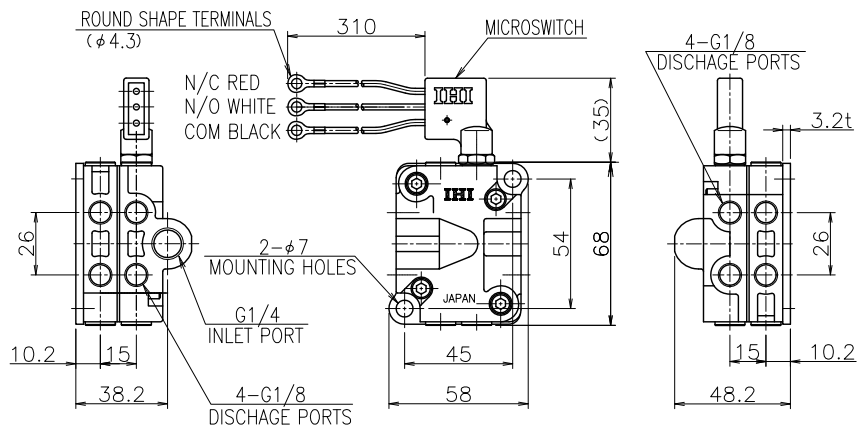
Model: BU-8M

SPECIFICATION

Item	Specification
Max. Working pressure	Grease:14.7MPa, Oil: 5.9MPa
Discharge capacity	0.3 cm ³ /st./ports
Discharge ports number	8 ports
Mass.	0.47 kg
Code No.	RK645300

MICROSWITCH SPECIFICATION

COM	N/C	RATING: AC250V-2A AC125V-2A DC30V-2A
	N/O	
CONTACT SYMBOL		



Model: BU-12M

SPECIFICATION

Item	Specification
Max. Working pressure	Grease:14.7MPa, Oil: 5.9MPa
Discharge capacity	0.3 cm ³ /st./ports
Discharge ports number	12 ports
Mass.	0.61 kg
Code No.	RK645400

MICROSWITCH SPECIFICATION

COM	N/C	RATING: AC250V-2A AC125V-2A DC30V-2A
	N/O	
CONTACT SYMBOL		

